

ALL CHARACTERISTICS ARE BASED ON CONDITIONS AT 25°C, 50% RH AND 1013 hPa

REV	DCO'S AFFECTING THIS DRAWING	DATE	APPROVED
A	INITIAL REL. # 3346	4/5/10	D.L.
B	DCO # 3734 CORRECTED DESCRIPTION	6.14.11	C.C.

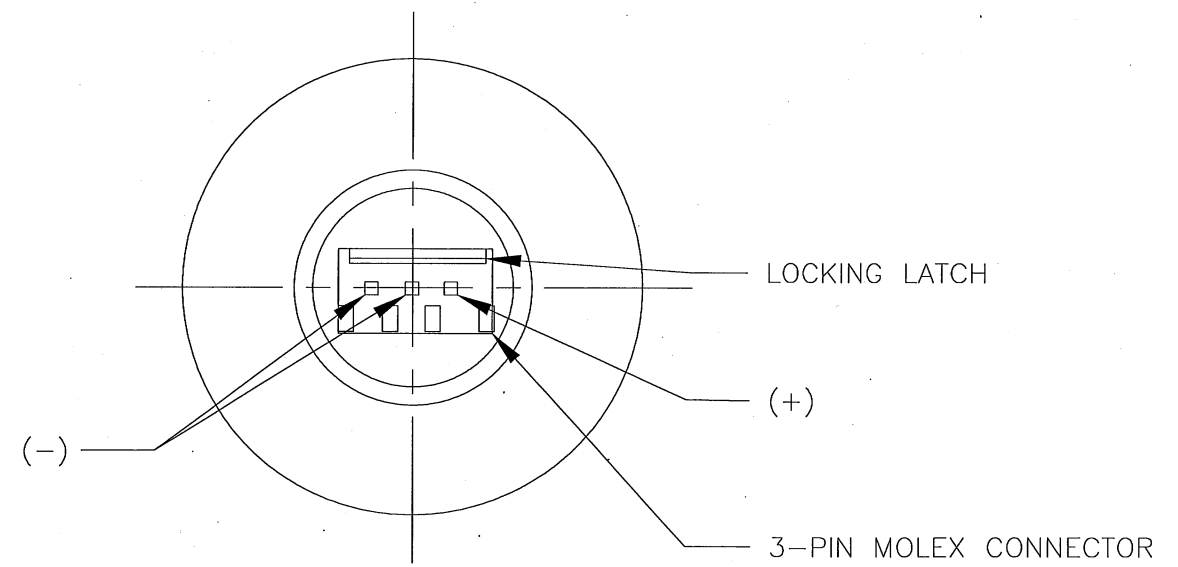
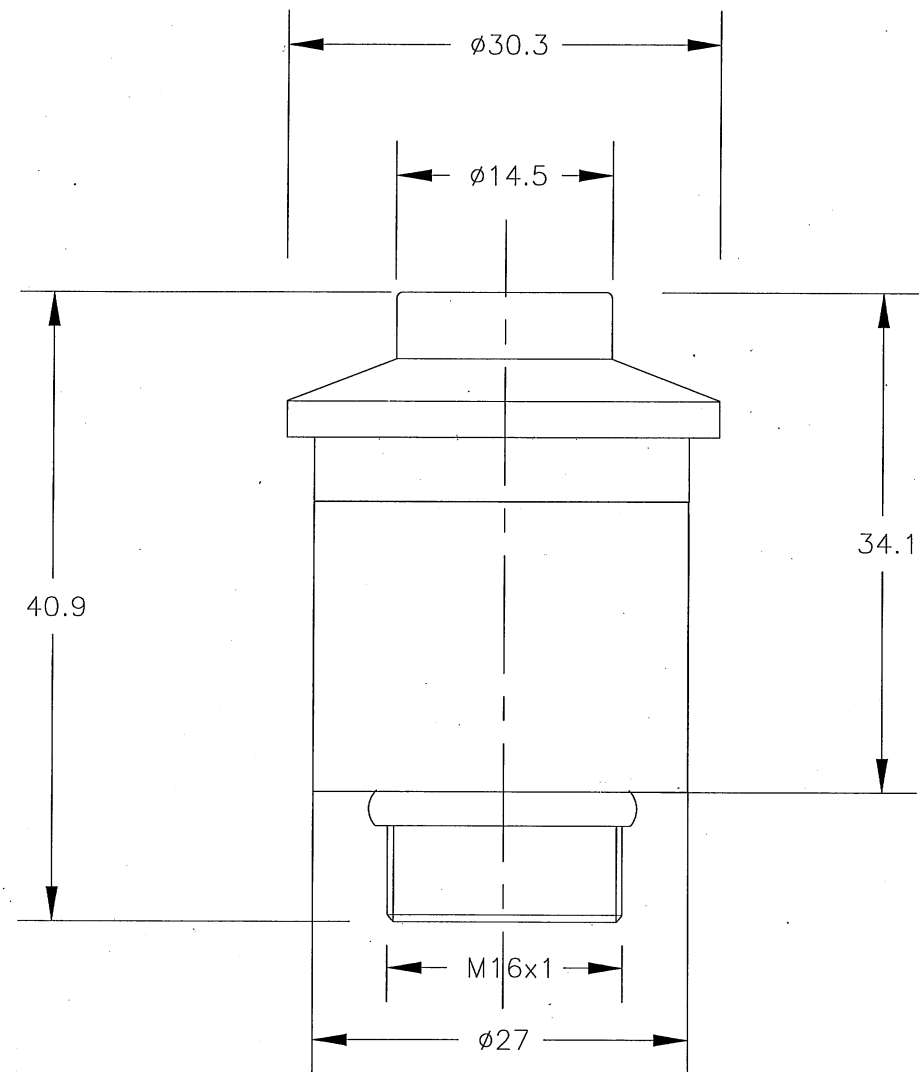
1. Output:
25 mV ±5 mV @ ambient air
2. Operation:
 1. Temperature: 0° – 45° C
 2. Pressure Range: 750 – 1750 hPa
 3. Influence of Humidity: -0.03% rel. O₂ reading / % RH
3. Storage Temperature Range:
-20° to 55° C
5° to 30° C Recommended
4. Range of Measurement (Full Scale):
0 to 65 Vol %
5. 90% Response Time:
<150 ms
6. Linearity Error:
<2% @ 65 Vol. %
7. Stability:
<1% volume O₂ per day

8. Interference: <0.3% O₂ response to:
 - 80.0 % N₂O balance N₂
 - 7.5% Halothane balance N₂
 - 7.5% Isoflurane balance N₂
 - 7.5% Enflurane balance N₂
 - 9.0 % Sevoflurane balance N₂
 - 20.0% Desflurane balance N₂
 - 10.0% CO balance N₂
9. Nominal Sensor Life:
=150,000% hours O₂
10. Electrical Interface:
3-pin molex connector

Handwritten signature and date: 6/13/11

UNLESS OTHERWISE SPECIFIED DIMENSIONS ARE IN INCHES AND PER ANSI Y14.5-1982		maxtec [®] SALT LAKE CITY, UTAH 84107	
.XX = ±.01 .XXX = ±.005 .XXXX = ±.002		ANGLE ±1'30"	
PREP D. LARSEN	6/14/11	4/5/10	
CHKR J. ANDERSON	6/14/11	4/8/10	
ENG C. CINDRICH	6/14/11	6/14/11	
MFG E. MEADS	6/14/11	6/14/11	
SIZE B		FSCM NO. 1S815	NUMBER R113P19
SCALE NONE		SHEET 1 OF 2	
		REV B	

D
C
B
A
R113P19



SIZE B	FSCM NO. 1S815	NUMBER R113P19	REV B
SCALE 2.0 = 1.0		SHEET 2 OF 2	

PROPRIETARY INFORMATION

R113P19 B