

ALL CHARACTERISTICS ARE BASED ON CONDITONS AT 25°C, 50% RH AND 1013 hPa

REV	DCO'S AFFECTING THIS DRAWING	DATE	APPROVED
A	INITIAL REL. # 3346	4/7/10	D.L.
B	DCO # 3734 CORRECTED DESCRIPTION	6.14.11	C.C.

1. Output:

200uA ± 60uA @ ambient air

2. Operation:

1. Temperature: -8 to 50° C
2. Ambient Pressure: 750 to 1250 hPa
3. Relative Humidity: Up to 100% Rh

3. Storage Temperature Range:

-0 to 45° C  
5 to 25° Recommended

4. Range of Measurement (Full Scale):

100 to 210,000 ppm O<sub>2</sub>

5. Response Times (in operation):

<180 s from 21 Vol. % down to 1000 ppm  
<20 min from 21 Vol.% down to 250 ppm  
<1 h from 250 ppm down to 100 ppm

6. Linearity Error:

± 3% of signal (above 1000 ppm)

7. Expected Operating Life:

2 years, depending on humidity and O<sub>2</sub> concentration.

8. Electrical Interface:

2x slip-rings on PCB

UNLESS OTHERWISE SPECIFIED  
DIMENSIONS ARE IN INCHES  
AND PER ANSI Y14.5-1982

.XX = ±.01  
.XXX = ±.005  
.XXXX = ±.002

ANGLES  
±1'30'

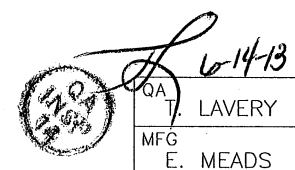
**maxtec**®  
SALT LAKE CITY, UTAH 84107

SPECIFICATION,  
MAX-21 OXYGEN SENSOR

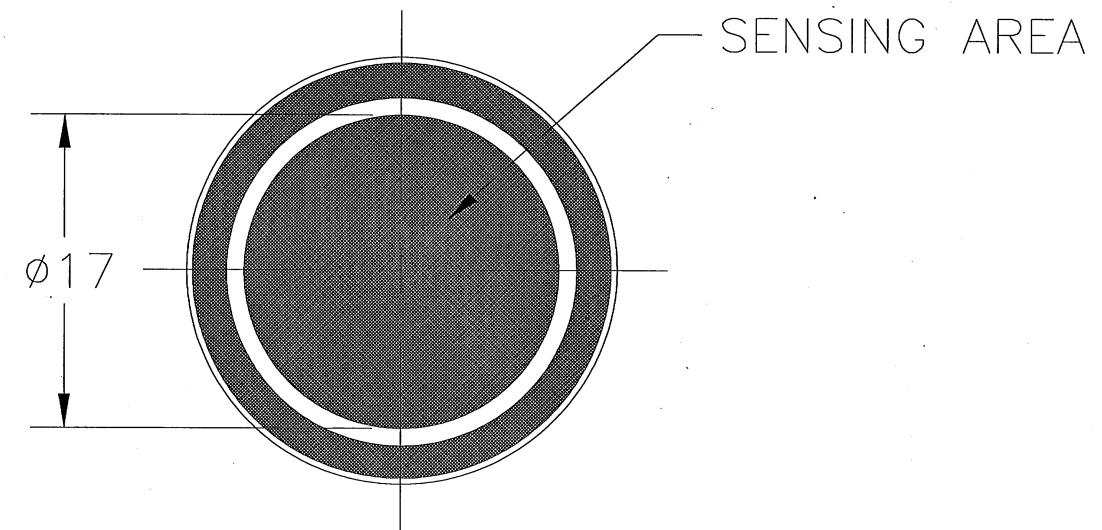
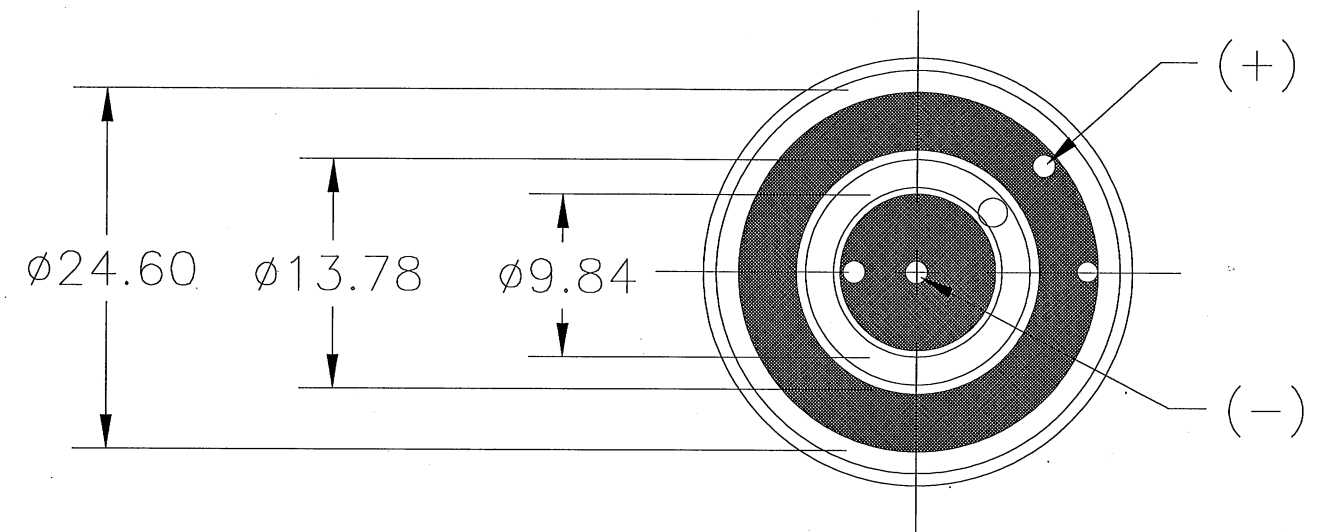
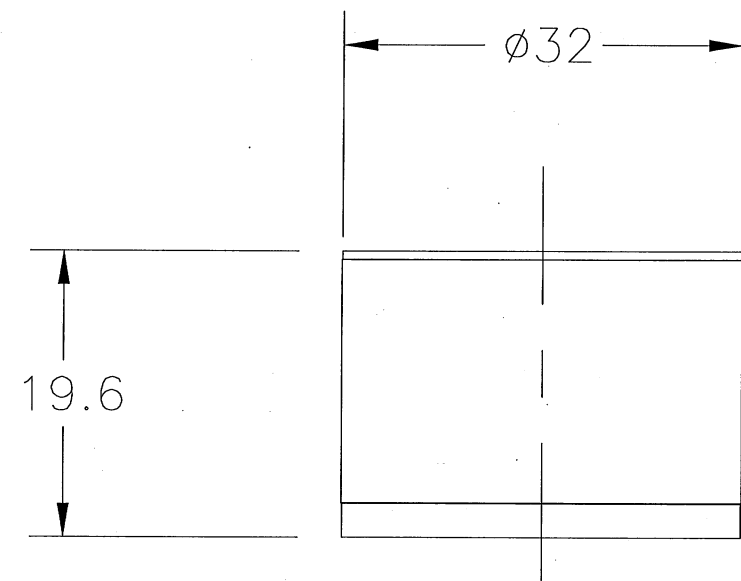
QA J. LAVERY	6/14/11	PREP D. LARSEN	4/5/10
MFG E. MEADS	6/14/11	CHKR J. ANDERSON	4/8/10
		ENG C. CINDRICH	6/14/11

SIZE B	FSCM NO. 1S815	NUMBER R113P14	REV B
SCALE NONE		SHEET 1 OF 2	

PROPRIETARY INFORMATION  
MAXTEC



R113P14 B



NOTES UNLESS OTHERWISE SPECIFIED

1. DIMENSIONS ARE FOR AN UNLABELED SENSOR.

SIZE B	FSCM NO. 1S815	NUMBER R113P14	REV B
SCALE NONE		SHEET 2 OF 2	

PROPRIETARY INFORMATION  
MAXTEC

R113P14 B