

REV	DCO'S AFFECTING THIS DRAWING	DATE	APPROVED
A	INITIAL REL. # 2894	2/8/08	D.L.
B	DCO # 3358 CHANGED TO MAX-12C	4/29/10	<i>[Signature]</i>

1. Output:
13.0 to 16.5 mV in air at 1013 millibar pressure, 50% RH and a temperature range of 23±2 °C
2. Operating Temperature:
0° to 40 °C
3. Maximum Storage Temperature:
-20° to 50 °C
4. Optimal Storage Temperature:
5° to 30 °C
5. Range of Measurement (Full Scale):
0 to 100% oxygen
6. Zero Offset:
Less than or equal to .200 mV when exposed to 100% nitrogen for 5 min.
7. 90% Response Time:
Less than or equal to 12 seconds at 23±2 °C
8. Linearity:
Within +/- 2.0% of full scale when calibrated in 100% oxygen.

9. Stability:
Less than 1% of full scale over an 8 hour period at constant temperature, pressure, and humidity.
10. Interference:
Less than 2% of full scale in presence of 75% Nitrous oxide
Less than 2% of full scale in presence of 5% Halothane
Less than 2% of full scale in presence of 5% Isoflurane
Less than 2% of full scale in presence of 5% Enflurane
Less than 2% of full scale in presence of 6% Sevoflurane
Less than 2% of full scale in presence of 15% Desflurane
Less than 2% of full scale in presence of 10% Carbon Dioxide
Less than 2% of full scale in presence of 70% Helium
11. Expected Life
>1,000,000%—oxygen—hours under normal operating conditions
12. Humidity
up to 100% Relative Humidity non-condensing
13. Electrical Interface
3-Pin Molex

AUTHORIZED COPY
~~APR 18 2010~~
 EFFECTIVE DATE
 VALID ONLY IF THIS STAMP IS RED

QA Insp 14
4/29/10

UNLESS OTHERWISE SPECIFIED
 DIMENSIONS ARE IN INCHES
 AND PER ANSI Y14.5-1982

.XX = ±.01
 .XXX = ±.005
 .XXX = ±.002

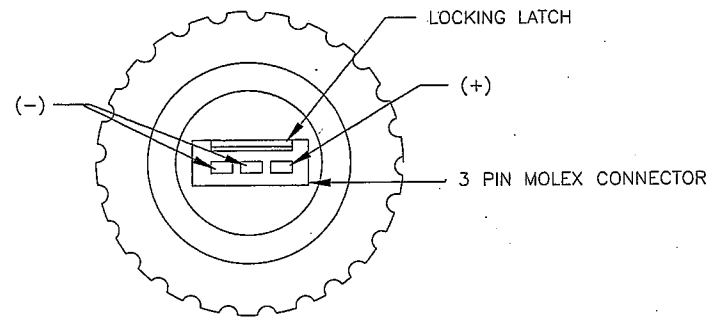
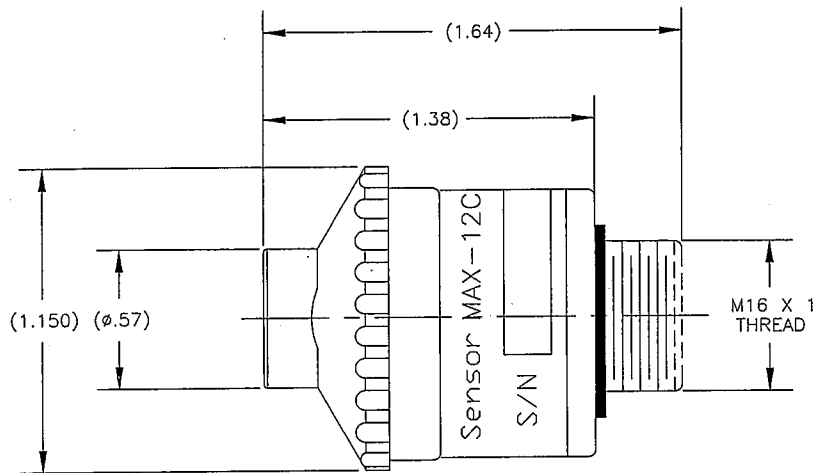
ANGLES
 ±1'30"

QA I. LAVERY	4/29/10	PREP A. BOARDMAN	1/22/08
MFG E. MEADS	4/29/10	CHKR G. PEKAR	2/8/08
		ENG A. BOARDMAN	4/29/10

maxtec® SALT LAKE CITY, UTAH 84107			
SPECIFICATIONS, MAX-12C OXYGEN SENSOR			
SIZE B	FSCM NO. 1S815	NUMBER R109P54	REV B
SCALE NONE		SHEET 1 OF 2	

PROPRIETARY INFORMATION
 MAXTEC INC.

R109P54 B



AUTHORIZED COPY
 APR 18 2010
 EFFECTIVE DATE
 VALID ONLY IF THIS STAMP IS RED

SIZE B	FSCM NO. 1S815	NUMBER R109P54	REV B
SCALE NONE	SHEET 2 OF 2		

PROPRIETARY INFORMATION
 MAXTEC INC.

R109P54 B