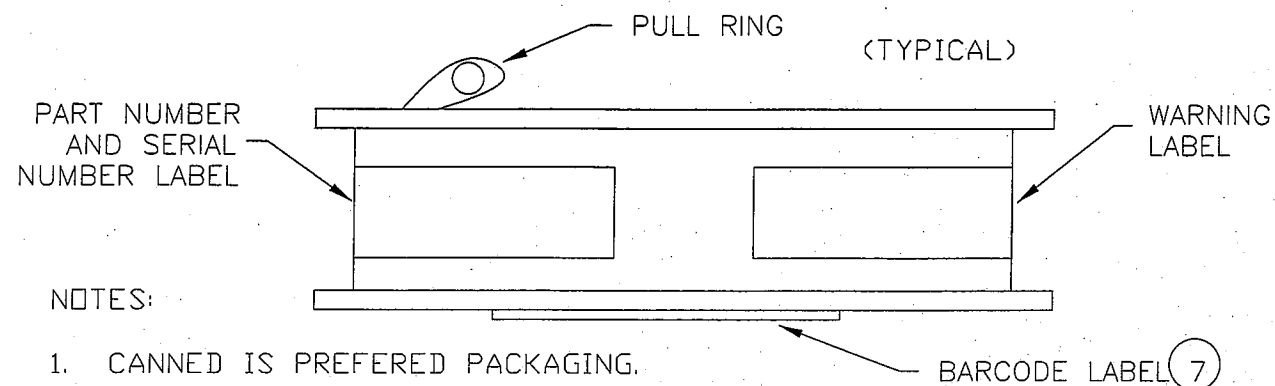


REV	DCO'S AFFECTING THIS DRAWING	DATE	APPROVED
A	INITIAL REL. # 3346	4/5/10 4/1	<i>[Signature]</i>

MANUFACTURER PACKAGING



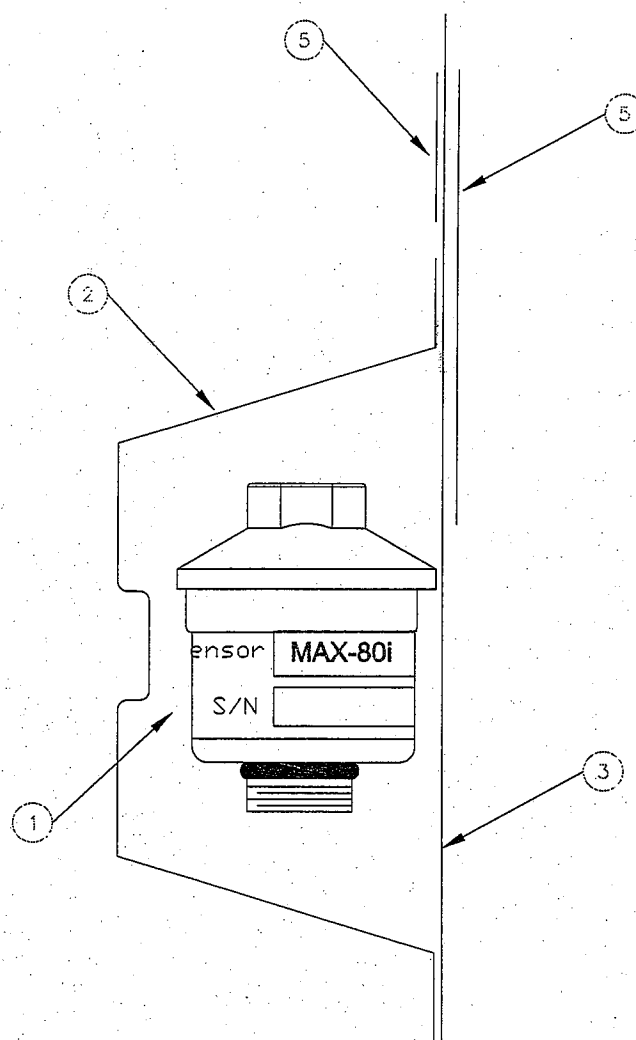
NOTES:

1. CANNED IS PREFERED PACKAGING.
2. FOR INCOMING INSPECTION DO NOT UNCAN.
3. IF NO BARCODE LABEL ON BOTTOM OF CAN ROUTE TO MANUFACTURING FOR REWORK.
4. MANUFACTURER: INTERNATIONAL TECH. # I-103

INCOMING INSPECTION:

1. VISUAL (GENERAL LEVEL I)
 - 1.1 VERIFY PART NUMBER AND DESCRIPTION.
 - 1.2 INSPECT FOR MANUFACTURING FLAWS (CRACKS, LEAKS, ODDORS, ETC.)
 OR USE CDN4415 SECTION 5.
2. CERTIFICATE OF CONFORMANCE IS REQUIRED WITH EACH SHIPMENT.
3. VERIFY SERIAL NUMBERS MATCH PURCHASE ORDER.
4. VERIFY LABELS TO LABEL FILE FOLDERS.
5. ATTACH SAMPLE COPY OF LABELS TO INSPECTION OR JOB PAPERWORK.

MAXTEC PACKAGING



NOTE: SENSOR SPECIFICATION DRAWING # R113P12

PART NO.	TYPE
R113P11	MAXTEC

AUTHORIZED COPY
 APR 13 2010
EFFECTIVE DATE
 VALID ONLY IF THIS STAMP IS RED

UNLESS OTHERWISE SPECIFIED DIMENSIONS ARE IN INCHES AND PER ANSI Y14.5-1982

.XX = ±.01	ANGLES
.XXX = ±.005	±1'30'
.XXXX = ±.002	



PREP D. LARSEN	4/5/10
CHKR <i>[Signature]</i>	4/8/10
ENGR <i>[Signature]</i>	4/8/10

mextec [®] SALT LAKE CITY, UTAH 84107			
SHIPPING ASSEMBLY MAX-80i OXYGEN SENSOR			
SIZE B	FSCM NO. 1S815	NUMBER R113P11	REV A
SCALE NONE	SHEET 1 OF 1		

ALL CHARACTERISTICS ARE BASED ON CONDITIONS AT 25°C, 50% RH AND 1013 hPa

REV	DCO'S AFFECTING THIS DRAWING	DATE	APPROVED
A	INITIAL REL. # 3346	4/5/10	<i>[Signature]</i>

1. Output:
 Signal Delivery Condition: 10.5 – 13.5 mV @ dry ambient air
 Signal Range: 5–15 mV @ dry ambient air

2. Operation:
 1. Temperature: 0° – 45° C
 2. Pressure Range: 750 – 1250 hPa
 3. Influence of Humidity: -0.03% rel. O₂ reading / % RH

3. Storage Temperature Range:
 -15° to 60° C
 5° to 30° C Recommended

4. Range of Measurement (Full Scale):
 0 to 100 Vol %

5. 90% Response Time:
 <5 seconds

6. Linearity Error:
 0–2% oxygen: ± 0.1% absolute
 2.1–35% oxygen ± 0.5% relative

7. Stability:
 <1% / month, averaged across 12 month

8. Interference: <20 ppm O₂ response to:

- 100 Vol. % CO
- 100 Vol. % CO₂
- 3,000 ppm NO, balance N₂
- 1,000 ppm H₂, balance N₂
- 100 Vol.% C₃H₈
- 2,000 ppm H₂S, balance N₂
- 500 ppm SO₂, balance N₂
- 1,000 ppm Benzene, balance N₂

9. Nominal Sensor Life:
 >1,200,000 Vol.% h

10. Electrical Interface:
 3-pin molex connector

AUTHORIZED COPY
 APR 13 2010
 EFFECTIVE DATE
 VALID ONLY IF THIS STAMP IS RED

UNLESS OTHERWISE SPECIFIED
 DIMENSIONS ARE IN INCHES
 AND PER ANSI Y14.5-1982

TOL = ±.01
 TOL = ±.005
 TOL = ±.002

ANGLE
 ±1'30"

PREP
 LARSEN 4/5/10

CHKR
 J. Anderson 4/8/10

ENGR
 4/8/10

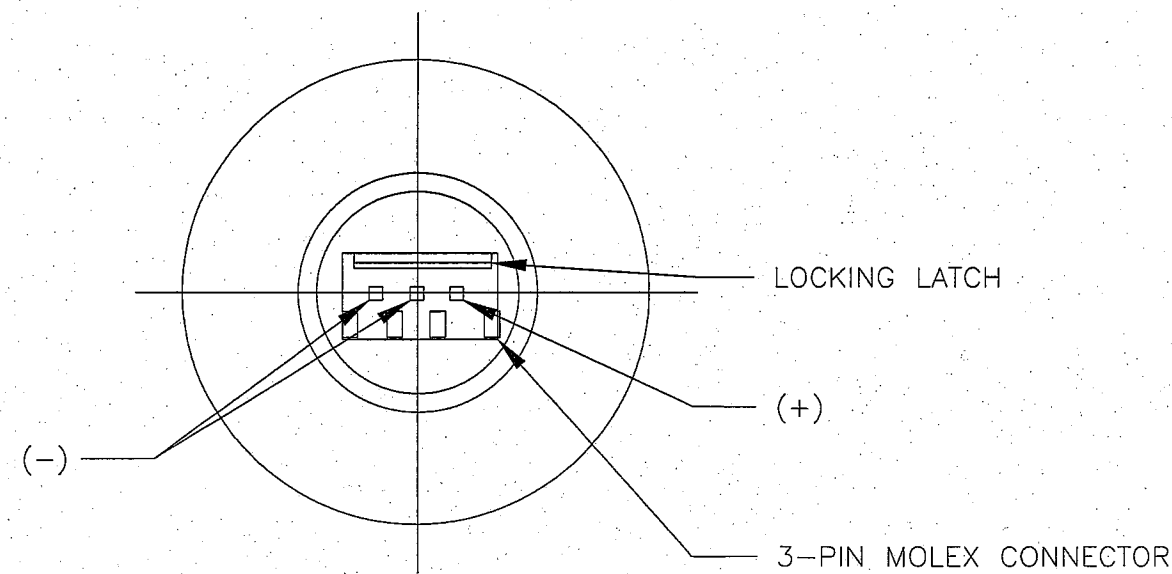
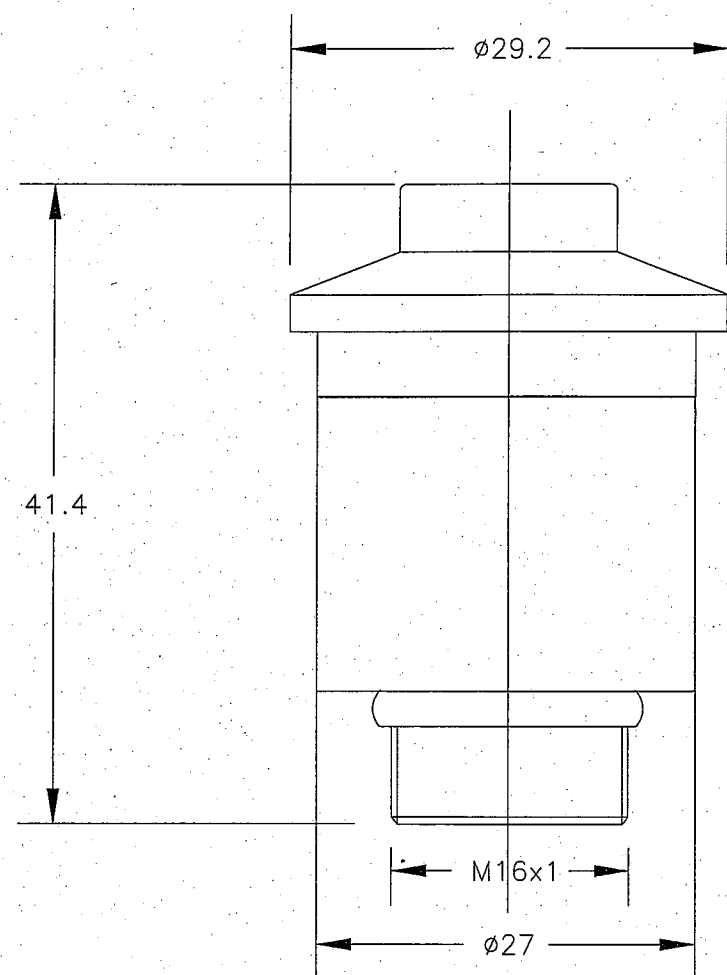
maxtec®
 SALT LAKE CITY, UTAH 84107

SPECIFICATION
 MAX-80i OXYGEN SENSOR

SIZE B FSCM NO. 1S815 NUMBER R113P12 REV A

SCALE NONE SHEET 1 OF 2

QA INSP 14
 MFG
 04/08/10
 4/8/10



AUTHORIZED COPY
 APR 13 2010
 EFFECTIVE DATE
 VALID ONLY IF THIS STAMP IS RED

SIZE B	FSCM NO. 1S815	NUMBER R113P12	REV A
SCALE 2.0 = 1.0		SHEET 2 OF 2	