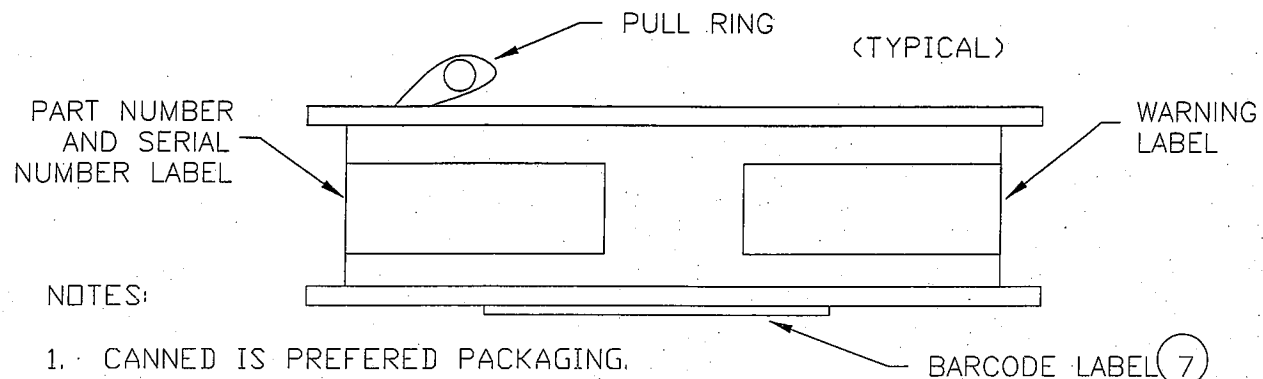


MANUFACTURER PACKAGING



NOTES:

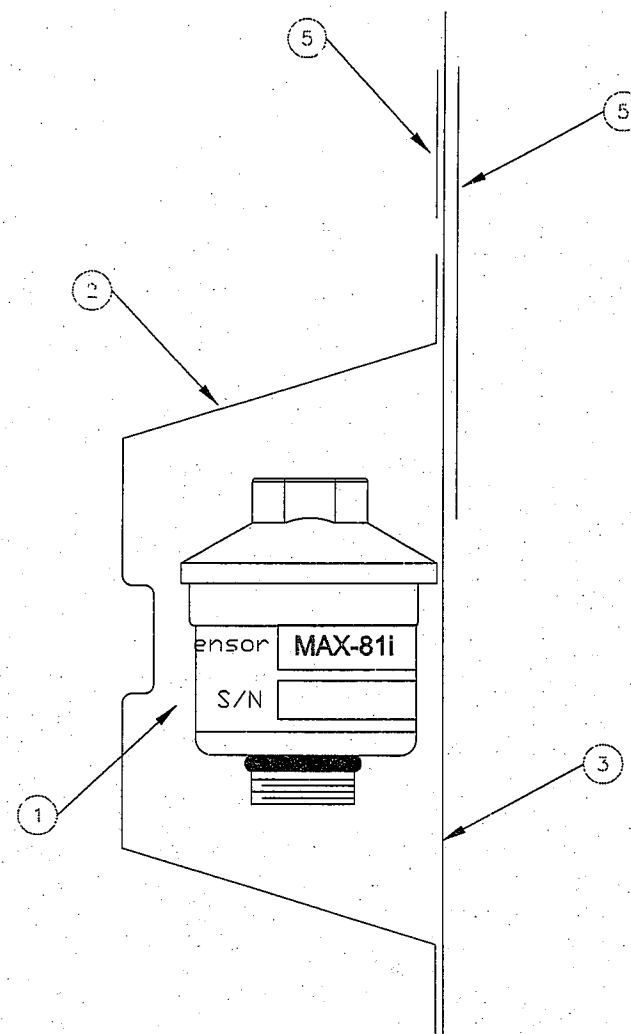
1. CANNED IS PREFERED PACKAGING.
2. FOR INCOMING INSPECTION DO NOT UNCAN.
3. IF NO BARCODE LABEL ON BOTTOM OF CAN ROUTE TO MANUFACTURING FOR REWORK.
4. MANUFACTURER: INTERNATIONAL TECH. # I-01

INCOMING INSPECTION:

1. VISUAL (GENERAL LEVEL I)
 - 1.1 VERIFY PART NUMBER AND DESCRIPTION.
 - 1.2 INSPECT FOR MANUFACTURING FLAWS (CRACKS, LEAKS, ODDORS, ETC.)
 OR USE CDN4415 SECTION 5.
2. CERTIFICATE OF CONFORMANCE IS REQUIRED WITH EACH SHIPMENT.
3. VERIFY SERIAL NUMBERS MATCH PURCHASE ORDER.
4. VERIFY LABELS TO LABEL FILE FOLDERS.
5. ATTACH SAMPLE COPY OF LABELS TO INSPECTION OR JOB PAPERWORK.

PART NO.	TYPE
R113P20	MAXTEC

MAXTEC PACKAGING



NOTE: SENSOR SPECIFICATION DRAWING # R113P21

REV	DCO'S AFFECTING THIS DRAWING	DATE	APPROVED
A	INITIAL REL. # 3346	4/5/10	<i>OK</i>

AUTHORIZED COPY
APR 13 2010
 EFFECTIVE DATE
 VALID ONLY IF THIS STAMP IS RED

UNLESS OTHERWISE SPECIFIED
 DIMENSIONS ARE IN INCHES
 AND PER ANSI Y14.5-1982

.XX = ±.01
 .XXX = ±.005
 .XXXX = ±.002

ANGLES
 ±1'30"



Tamm Lavery 04-08-10
 MFR
[Signature] 4/8/10

PREP
 D. LARSEN 4/5/10

CHKR
[Signature] 4/3/10

ENG
[Signature] 4/3/10

mactec [®] SALT LAKE CITY, UTAH 84107			
SHIPPING ASSEMBLY MAX-81i OXYGEN SENSOR			
SIZE B	FSCM NO. 1S815	NUMBER R113P20	REV A
SCALE NONE	SHEET 1 OF 1		

ALL CHARACTERISTICS ARE BASED ON CONDITIONS AT 25°C, 50% RH AND 1013 hPa

REV	DCO'S AFFECTING THIS DRAWING	DATE	APPROVED
A	INITIAL REL. # 3346	4/5/10	<i>OK</i>

1. Output:
 Signal Delivery Condition: 10.5 – 13.5 mV @ dry ambient air
 Signal Range: 5–20 mV @ dry ambient air

2. Operation:
 1. Temperature: 0° – 50° C
 2. Pressure Range: 750 – 1250 hPa
 3. Influence of Humidity: -0.03% rel. O₂ reading / % RH

3. Storage Temperature Range:
 -15° to 60° C
 5° to 30° C Recommended

4. Range of Measurement (Full Scale):
 0.5 to 35 Vol %

5. 90% Response Time:
 <5 seconds

6. Linearity Error:
 0–2% oxygen: ± 0.1% absolute
 2.1–35% oxygen ± 0.5% relative

7. Stability:
 <3% per month

8. Interference: <20 ppm O₂ response to:
 100 Vol. % CO
 100 Vol. % CO₂
 100 Vol.% C₃H₈
 1,000 ppm Benzene, balance N₂
 2,000 ppm H₂S, balance N₂

<20.000 ppm O₂ response to:
 3,000 ppm NO, balance N₂
 1,000 ppm H₂, balance N₂
 500 ppm SO₂, balance N₂

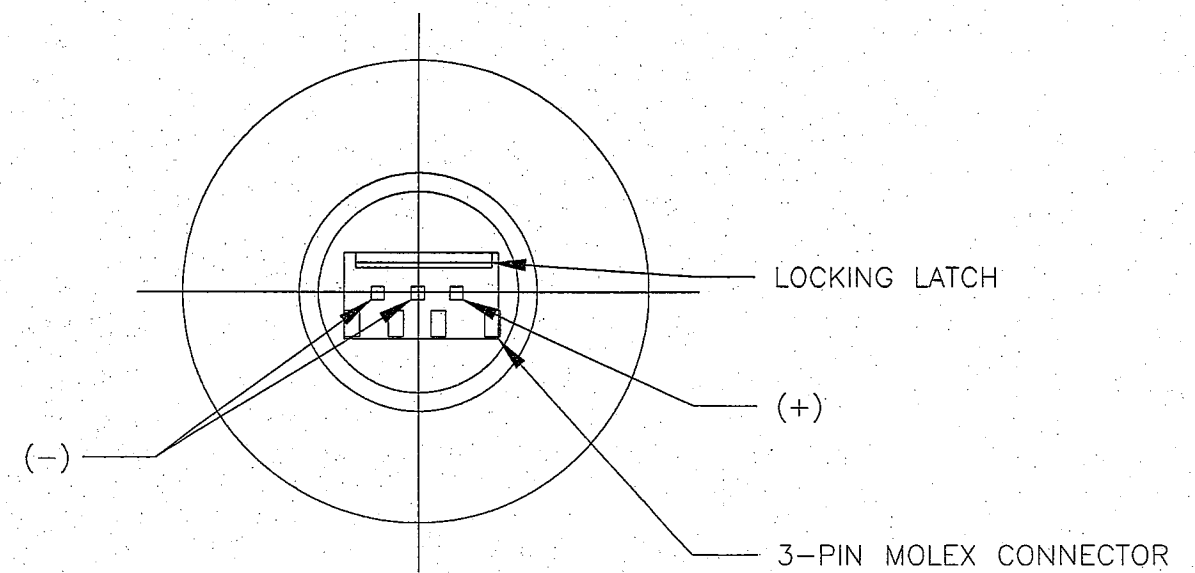
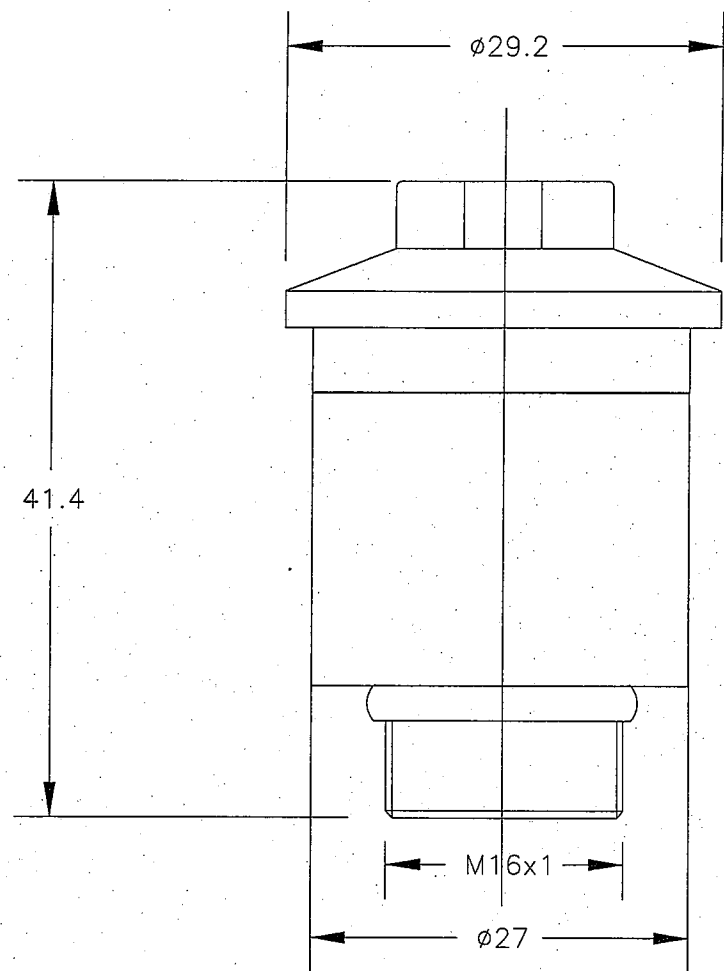
9. Nominal Sensor Life:
 >1,200,000 Vol.% h

10. Electrical Interface:
 3–pin molex connector

AUTHORIZED COPY
 APR 13 2010
 EFFECTIVE DATE
 VALID ONLY IF THIS STAMP IS RED

UNLESS OTHERWISE SPECIFIED DIMENSIONS ARE IN INCHES AND PER ANSI Y14.5-1982		maxtec® SALT LAKE CITY, UTAH 84107	
TOL = ±.01 TOL = ±.005 TOL = ±.002	ANGLE ±1°30'	SPECIFICATION MAX-81i OXYGEN SENSOR	
PREP D. LARSEN	4/5/10	SIZE B	FSCM NO. 1S815
MFG <i>[Signature]</i>	CHKR G. GILSON 4/8/10	NUMBER R113P21	REV A
SCALE NONE	SHEET: 1 OF 2		PROPRIETARY INFORMATION

D
C
B
A
R113P21 A



AUTHORIZED COPY
 APR 13 2010
 EFFECTIVE DATE
 VALID ONLY IF THIS STAMP IS RED

SIZE B	FSCM NO. 1S815	NUMBER R113P21	REV A
SCALE 2.0 = 1.0		SHEET 2 OF 2	