

REV	DCO'S AFFECTING THIS DRAWING	DATE	APPROVED
A	INITIAL REL #785	4/29/97	B.H.
E	DCO # 3536 CHANGED ITEM 12	12/19/10	

- ▶ 1. Output:
10.0 to 15.5 mV in air at 1013 millibar pressure and a temperature range of 23±2 °C
- ▶ 2. Operating Temperature:
5° to 40 °C
- ▶ 3. Maximum Storage Temperature:
-15° to 50 °C
- ▶ 4. Optimal Storage Temperature:
5° to 25 °C
- ▶ 5. Range of Measurement (Full Scale):
0 to 100% oxygen
- ▶ 6. Zero Offset:
Less than or equal to 0.50 mV when exposed to 99.9% to 100% nitrogen
- ▶ 7. 90% Response Time:
Less than or equal to 15 seconds at 23±2 °C
- ▶ 8. Linearity:
Within +/- 2.0% of full scale

- ▶ 9. Stability:
Less than 1% of full scale over an 8 hour period at constant temperature, pressure, and humidity.
- ▶ 10. Interference:
Less than 2% of full scale in presence of 75% Nitrous oxide
Less than 2% of full scale in presence of 5% Halothane
Less than 2% of full scale in presence of 5% Isoflurane
Less than 2% of full scale in presence of 5% Enflurane
Less than 2% of full scale in presence of 6% Sevoflurane
Less than 2% of full scale in presence of 15% Desflurane
Less than 2% of full scale in presence of 10% Carbon Dioxide
Less than 2% of full scale in presence of 70% Helium
- ▶ 11. Temperature Compensation:
Less than ± 3.0% from 15° to 40°C
- ▶ 12. Expected Life
> 1,500,000% oxygen hours under normal operating conditions
- ▶ 13. Humidity
5% to 95% Relative Humidity non-condensing

UNLESS OTHERWISE SPECIFIED
DIMENSIONS ARE IN INCHES
AND PER ANSI Y14.5-1982

maxtec[®]
SALT LAKE CITY, UTAH 84107

SPECIFICATIONS
MAX-250 OXYGEN SENSOR

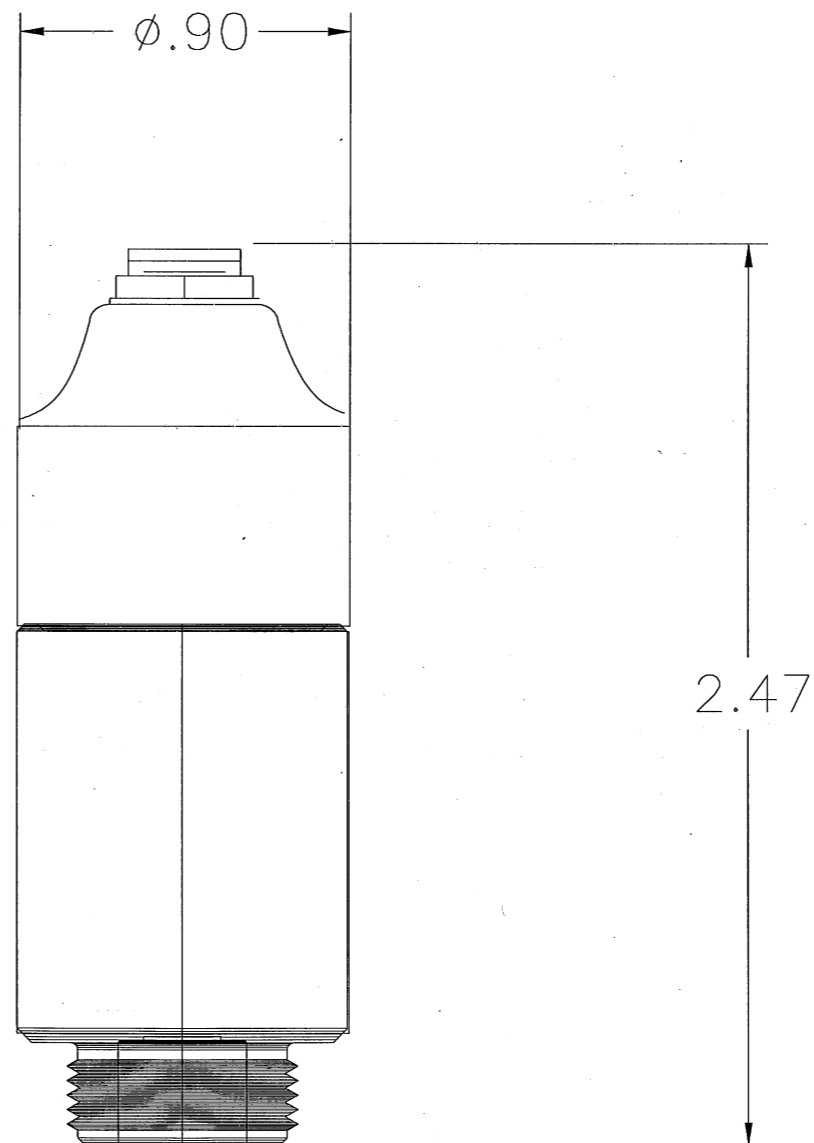
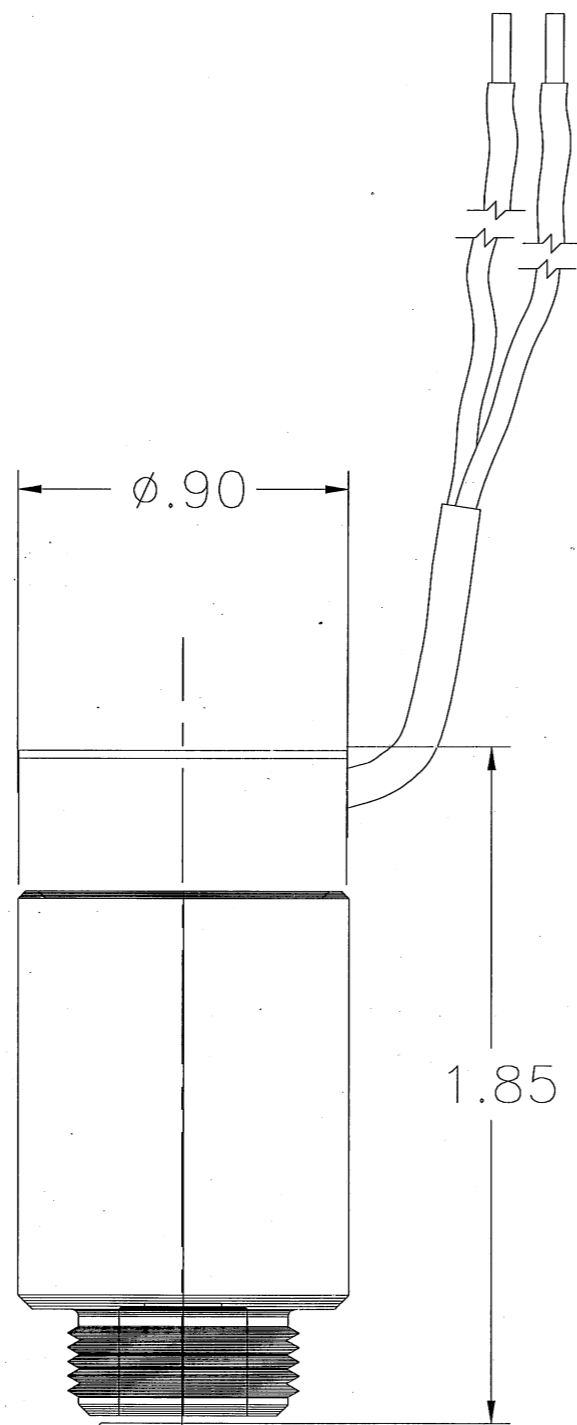
T. LAVERY 11/9/10
E. MEADS 11/28/10
A. BOARDMAN 11/23/10

PREP E. CUTLER 4/28/97
CHKR B. HAMATAKE 4/29/97
ENG A. BOARDMAN 11/23/10

SIZE B	FSCM NO. 1S815	NUMBER R125P20	REV E
--------	----------------	----------------	-------

SCALE NONE SHEET 1 OF 2

R125P20 E



M16 x 1 Thread

M16 x 1 Thread

SIZE B	FSCM NO. 1S815	NUMBER R125P20	REV E
SCALE NONE	SHEET 2 OF 2		

PROPRIETARY INFORMATION
MAXTEC

R125P20 E