

REV	DCO'S AFFECTING THIS DRAWING	DATE	APPROVED
A	INITIAL RELEASE	5/26/94	G.P.
F	DCO # 3525 CHANGED ITEM 12	12/26/10	

1. Output:

12.2 TO 18.1 mV in 20.95% oxygen in a temperature range of 23±2 °C at 1013 millibars.

2. Operating Temperature:

5° to 40 °C

3. Maximum Storage Temperature:

-15° to 50 °C

4. Optimal Storage Temperature:

5° to 25 °C

5. Range of Measurement (Full Scale):

0 to 100% oxygen

6. Zero Offset:

Less than or equal to 0.50 mV when exposed to 99.9 to 100% nitrogen.

7. 90% Response Time:

Less than or equal to 15 seconds at 23±2 °C

8. Linearity:

Within +/- 2.0% of full scale

9. Stability:

Less than 1% of full scale over an 8 hour period at constant temperature, pressure, and humidity.

10. Interference:

- Less than 2% of full scale in presence of 75% Nitrous oxide
- Less than 2% of full scale in presence of 5% Halothane
- Less than 2% of full scale in presence of 5% Isoflurane
- Less than 2% of full scale in presence of 5% Enflurane
- Less than 2% of full scale in presence of 6% Sevoflurane
- Less than 2% of full scale in presence of 15% Desflurane
- Less than 2% of full scale in presence of 10% Carbon Dioxide
- Less than 2% of full scale in presence of 70% Helium

11. Temperature Effects:

Activation energy (Ea) of 6000±1500 cal/mol-°K where

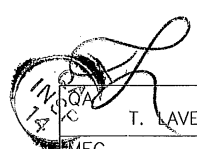
$$\frac{\text{Output}_{T_2}}{\text{Output}_{T_1}} = \exp \left[\frac{E_a}{1.987 \text{ cal/mol-}^\circ\text{K}} \left(\frac{T_2 - T_1}{T_2 T_1} \right) \right]$$

12. Expected Life

> 2,000,000% oxygen hours under normal operating conditions

13. Humidity

5% to 95% Relative Humidity non-condensing



UNLESS OTHERWISE SPECIFIED DIMENSIONS ARE IN INCHES AND PER ANSI Y14.5-1982		maxtec® SALT LAKE CITY, UTAH 84107	
.XX = ±.01	ANGLES ±1°30'	SPECIFICATIONS, MAX-2 OXYGEN SENSOR	
.XXX = ±.005			
.XXXX = ±.002		SIZE B	FSCM NO. 1S815
PREP MILES D. SMITH	12/21/93	NUMBER	R107P80
CHKR G. POELAKKER	5/26/94	REV	F
ENG N. SCHATTKE	11/9/10	SCALE	NONE
		SHEET 1 OF 2	

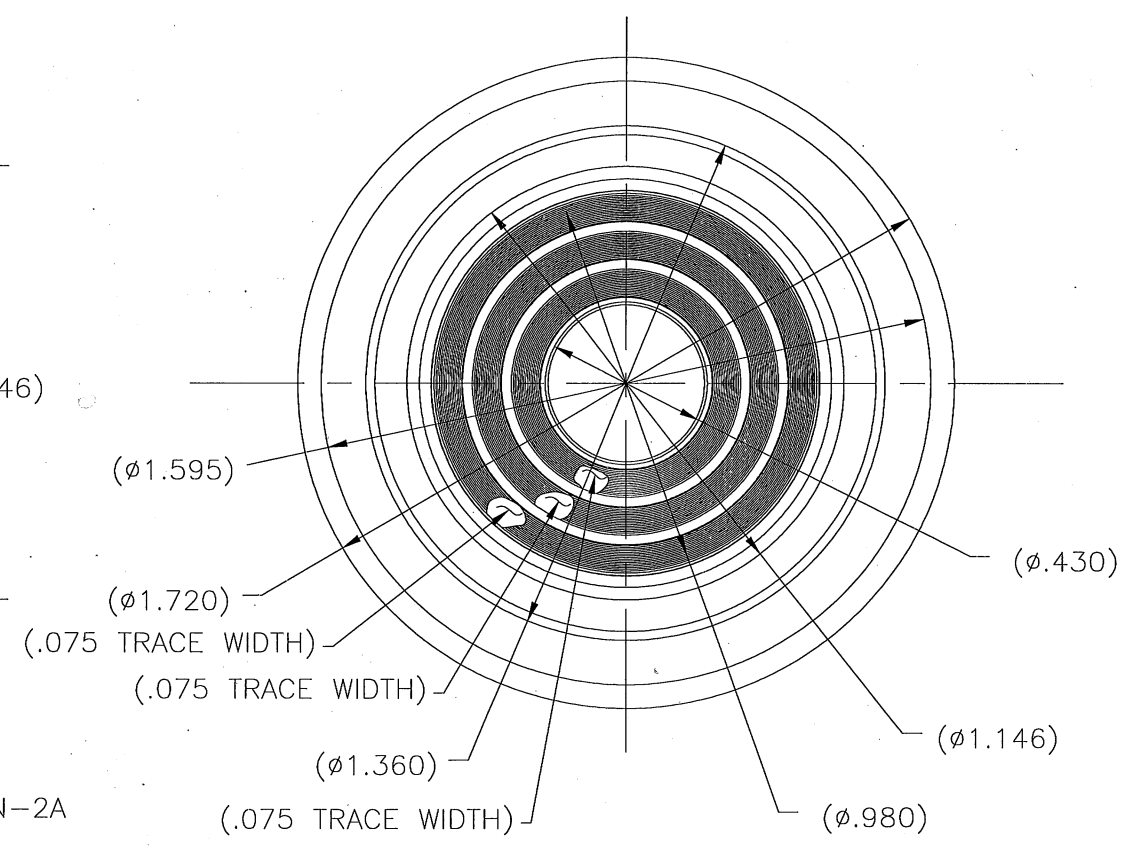
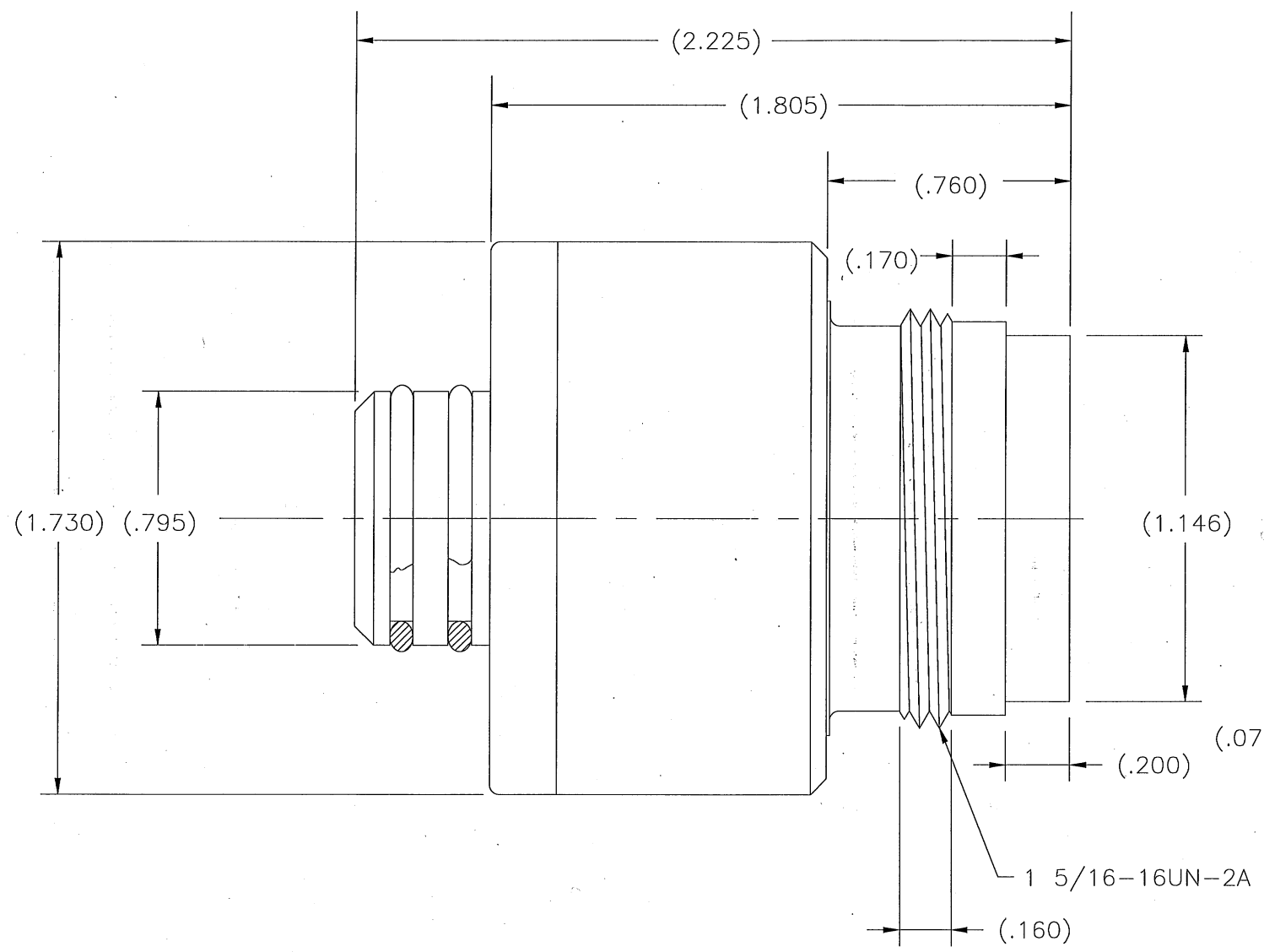
D

C

B

A

R107P80 F



SIZE B	FSCM NO. 1S815	NUMBER R107P80	REV F
SCALE NONE	SHEET 2 OF 2		

PROPRIETARY INFORMATION
MAYTEC

R107P80 F