

**SpiroQuant A / SpiroQuant A+**

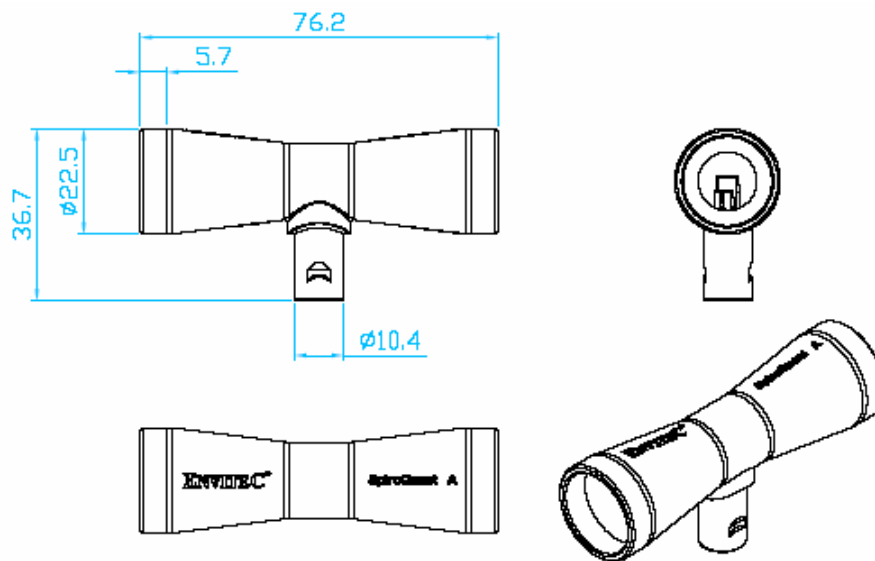
**Compatibility statement SpiroQuant A / SpiroQuant A+**

Herewith we guarantee that there are no differences in measurement and specification between Flowsensors “SpiroQuant A” and “SpiroQuant A+”.

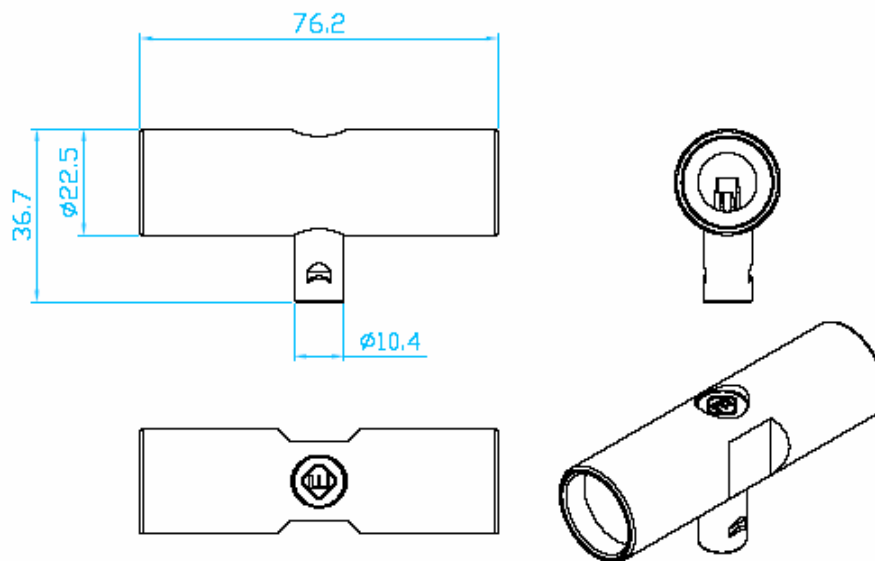
All technical parameters (electrical and mechanical) are same between both sensors. All flow specifying constructive parameters and materials are identical.

The test and inspection procedures are also equal.


The only difference is changed outer design and this has no influence in measuring method.



Picture1: SpiroQuant A+



Picture2: SpiroQuant A

	Revision:	Valid from – Gültig ab:	Created – Erstellt:	Approved – Freigabe:	Page – Seite:
<b>R:\PRODUKT.007\PHA\Festlegungen&amp;Konformitätsbewertung\ Compatibility-statement_SQ_A+.doc</b>	a	12.02.07	MS	MP2	1 / 1