

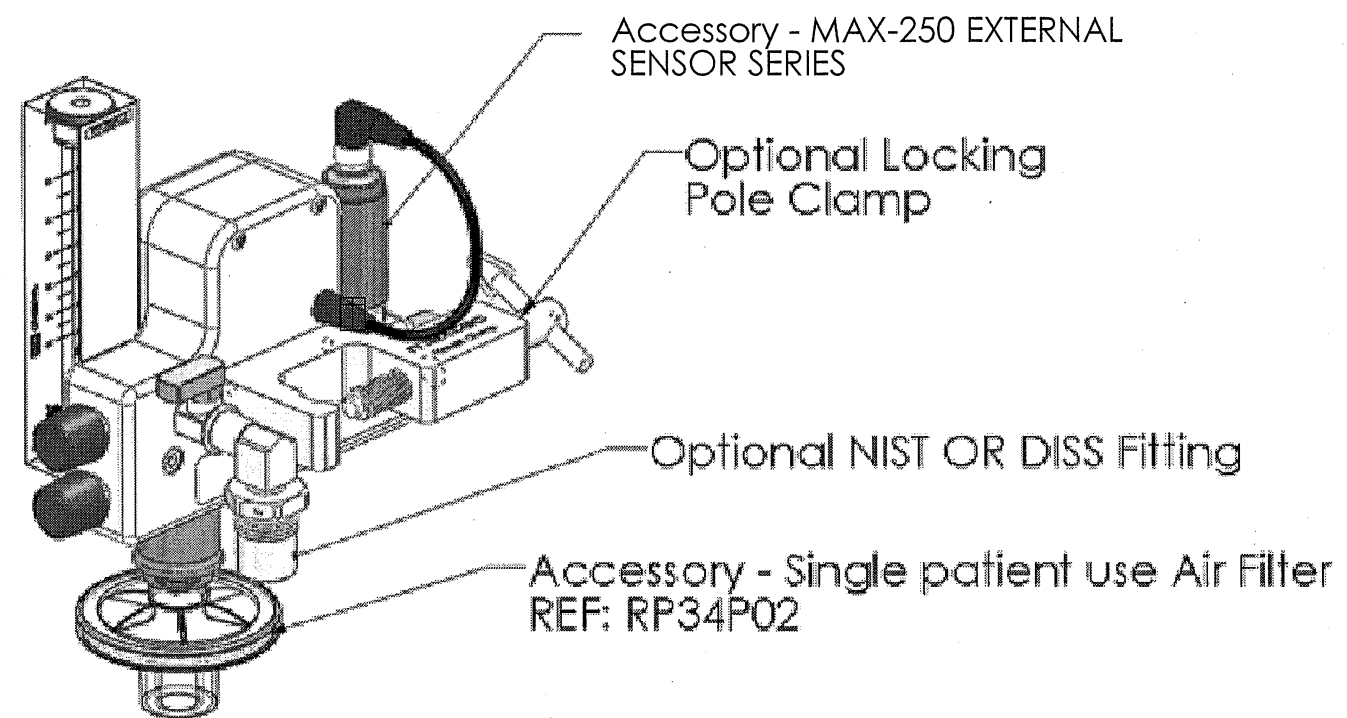
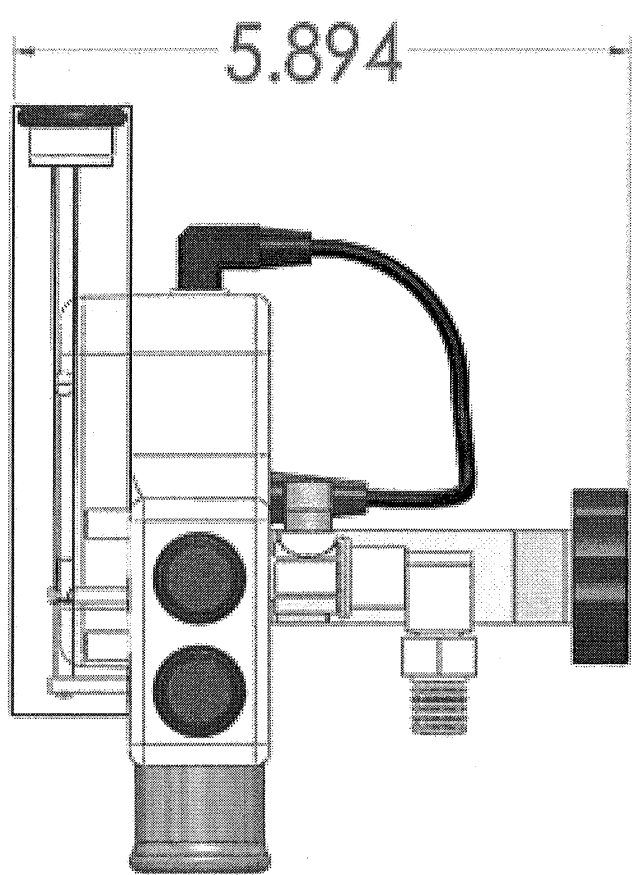
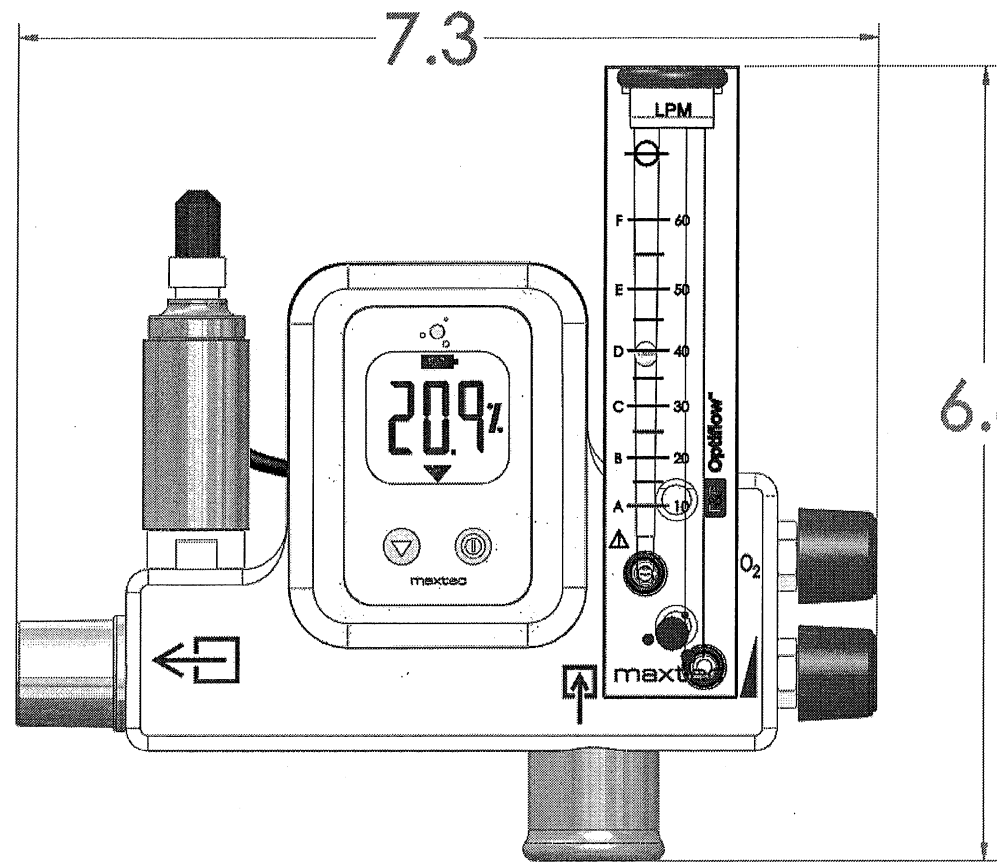
| Specification | MaxVenturi/Optiventuri |
|--------------------------------|---|
| Analyzer Specifications | |
| Display Resolution | .1% |
| Accuracy and Linearity | 1% of full scale at constant temperature, R. H. and pressure when calibrated at full scale. |
| Total Accuracy | ±3% actual oxygen level over full operating temperature range. |
| Response Time (Max250E) | 90% of final value in approximately 15 seconds at 23°C. |
| Warm-up time | none required |
| Operating Temperature | 15°C - 40°C (59°F - 104°F) |
| Storage Temperature | -15°C - 50°C (5°F - 122°F) |
| Atmospheric Pressure | 800 - 1013 mbars |
| Humidity | 0-95% (non-condensing) |
| Power Requirements | 2, AA Alkaline batteries (2 X1.5 Volts) |
| Battery Life | Approximately 5000 hours with continuous use. |
| Low-Battery Indication | "BAT" icon displayed on LCD |
| Sensor Type | Maxtec MAX-250 Series galvanic fuel cell |
| Expected Sensor Life | >900,000 O2 percent hours minimum 2-years in typical medical applications. |
| Dimensions | 7.3in X 6.6in X 5.3in (185mm X 167mm X 135mm) |
| Weight | 2.54 lbs (1.15 kg) |
| Drift of measurment | <±1% of full scale at constant temperature, pressure, and humidity |

| Oxygen Diluter Specifications | | |
|--------------------------------|--|--|
| Specification | MaxVenturi | OptiVenturi |
| Flow | Min:10 Max: (55-60) LPM | Min:15 LPM Max:45LPM |
| Flow Accuracy | 10LPM - ±33% | 15 LPM - ± |
| | 20 LPM - ±18% | 20 LPM - ± |
| | 30 LPM - ±15% | 25 LPM - ± |
| | 40 LPM - ±11% | 30 LPM - ± |
| | 50 LPM - ±11% | 35 LPM - ± |
| | 60 LPM - ±9% | 40LPM - ± |
| FiO2 Range | 32%±2-100% | 38%±2%-100% |
| Oxygen Inlet Supply | Medical Grade Oxygen | |
| Oxygen inlet supply pressure | 45-55psig | |
| Oxygen inlet filter (internal) | 45-90 micron pore size | |
| Ambient air inlet filter | Air Safety Ltd. Single Patient Use Filter | |
| Primary accessory | Designed to work with Fisher & Paykel Healthcare MR850 and other approved circuits | Designed to work with Fisher & Paykel Healthcare MR880 |

| REVISIONS | | | |
|-----------|--|----------|-----------|
| REV. | DCO's RELATED TO THIS DRAWING | DATE | APPROVED |
| A | INITIAL REL.# 2746 | 5/10/07 | D.Larsen |
| E | DCO # 3946 CHANGED DESCRIPTION OF SENSOR | 12/22/11 | D. LARSEN |

| | | | |
|---|------------------|--|--------------|
| UNLESS OTHERWISE SPECIFIED DIMENSIONS ARE IN INCHES AND PER ANSI Y14.5-1982 | | mactec [®] SALT LAKE CITY, UTAH 84107 | |
| .XX = ±.01 .XXX = ±.005 .XXXX = ±.002 | ANGLES ±1°30' | SPECIFICATIONS, MaxVenturi | |
| ORIGINATOR J. Anderson | 04/24/07 | SIZE | DWG. NO. |
| Q.A. T. Lavery | 12/22/11 | B | R211P01 |
| MFG E. Meads | 12/22/11 | CHECKED G. Pekar | 5/10/07 |
| | | ENG C. CINDRICH | 12/22/11 |
| | | SCALE: 5:1 | SHEET 1 OF 2 |
| | | REV E | |

R211P01 E



| | | |
|---|---------------------|-----------------|
| SIZE B | DWG. NO. R211P01 | REV E |
| SCALE: 5:1 | | SHEET 2 OF 2 |
| <small>PROPRIETARY INFORMATION MAXTEC</small> | | |

R211P01 E