

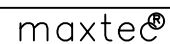
ALL SPECIFICATIONS APPLY AT 1013 MILLIBAR, 25°C, DRY AMBIENT AIR.

REV	DCO'S AFFECTING THIS DRAWING	DATE	APPROVED
A	INITIAL REL. # 1486	11/17/99	D.C.G.
D	DCO # 2017		
CORRECT ERRORS FROM DCO 1989			

1. Output:
14.5 mV \pm 2.0 mV
2. Operating Temperature:
0° C to 50° C
3. Maximum Storage Temperature:
-20° C to 60° C
(Recommended: 5° C to 30° C)
4. Electrical Connector:
3 Pin Molex
5. Range of Measurement (Full Scale):
0 to 100% oxygen
6. Zero Offset:
Less than or equal to 0.20 mV when exposed to 100% nitrogen, applied for 5 minutes
7. 90% Response Time:
Less than or equal to 5 seconds
8. Linearity:
Within \pm 3.0% of full scale
9. Stability:
Less than 1% of full scale over an 8 hour period at constant temperature, pressure, and humidity.
(between 20% - 100% oxygen)
10. Interference:
Less than 0.5% of full scale in presence of 80% Nitrous oxide
Less than 0.5% of full scale in presence of 7.5% Halothane
Less than 0.5% of full scale in presence of 7.5% Isoflurane
Less than 0.5% of full scale in presence of 7.5% Enflurane
Less than 0.5% of full scale in presence of 9% Sevoflurane
Less than 0.5% of full scale in presence of 20% Desflurane
Less than 0.5% of full scale in presence of 10% Carbon Dioxide
11. Temperature Compensation:
Less than \pm 3.5% of full-scale error from 15° to 40° C
12. Expected Life:
>500,000% oxygen hours under normal operating conditions
13. Humidity:
5% to 95% Relative Humidity non-condensing
14. Warm-up Time:
Less than 30 minutes, after replacement of sensor

Please verify with MAXTEC that the drawing revision is the most current.
Thank You
Maxtec Engineering

UNLESS OTHERWISE SPECIFIED DIMENSIONS ARE IN INCHES AND PER ANSI Y14.5-1982	
TOL = \pm .01	ANGLES
TOL = \pm .005	\pm .1°
TOL = \pm .002	

 SALT LAKE CITY, UTAH 84107			
SPECIFICATION, MAX-22CC OXYGEN SENSOR			
SIZE	FSCM NO.	NUMBER	REV
B	1S815	R116P31	D
SCALE	NONE	SHEET	1 OF 2

QA	PREP		
G. ROTH	D. LARSEN	12/29/03	12/29/03
MFG	CHKR		
G. ROTH	G. PEKAR	12/29/03	12/29/03
	ENG		
	G. PEKAR	12/29/03	12/29/03

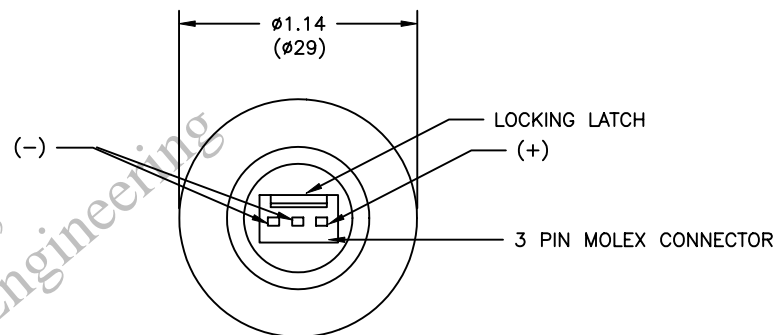
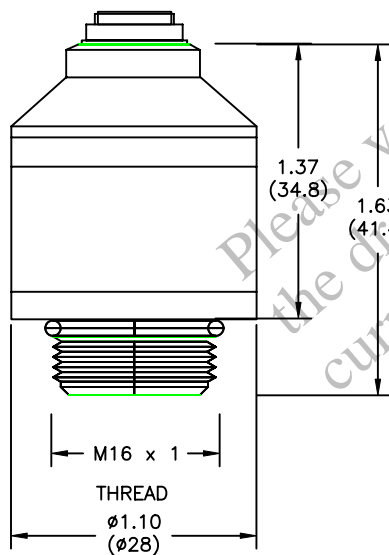
R116P31 D

4

3

2

1



NOTE:

1. DIMENSIONS IN INCH (mm)

SIZE B	FSCM NO. 1S815	NUMBER R116P31	REV D
SCALE NONE		SHEET 2 OF 2	