

ALL PRODUCT SPECIFICATIONS ARE APPLICABLE AT STANDARD CONDITIONS:
1013 MILLIBAR, 25°C DRY AIR, AND 300 OHM LOAD ACROSS SENSOR TERMINALS.

REV	DCO'S AFFECTING THIS DRAWING	DATE	APPROVED
A	INITIAL REL. #740	1/24/97	E. CUTLER
D	DCO # 1989 REVISED SPECIFICATION	9/18/03	T.C.

1. Output:

17.0 ± 3.0 mV

2. Operation:

1. Temperature: 0 to 40° C
2. Ambient pressure: 600 – 1750 millibar
3. Relative Humidity: Up to 100% Rh
(Condensing atmosphere over several hours)

3. Storage Temperature Range:

-20 to 60° C
5 to 30° Recommended

4. Range of Measurement (Full Scale):

0 to 100% oxygen

5. Zero Offset:

Less than 0.20 mV when exposed to 100% nitrogen for 5 minutes.

6. 90% Response Time:

Less than or equal to 13 seconds.

7. Linearity:

< 3.0% of full scale

8. Stability:

Less than 1% of full scale over an 8 hour period between 20% and 100% oxygen.

9. Repeatability:

±1% Volume O₂ at 100% O₂
applied for 5 minutes

10. Interference:

Less than 0.5% O₂ response to:
10.0% CO₂ balance N₂
80.0% N₂O balance N₂
7.5% Halothane balance N₂
7.5% Isoflurane balance N₂
7.5% Enflurane balance N₂
9.0% Sevoflurane balance N₂
20.0% Desflurane balance N₂

11. Nominal Sensor Life:

500,000% O₂ hours

12. Warm Up Time:

Less than 30 minutes after replacement of sensor.

13. Electrical Interface:

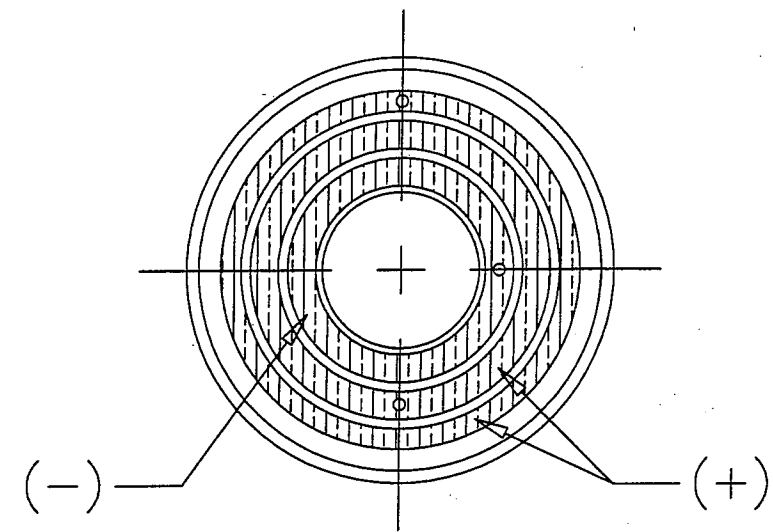
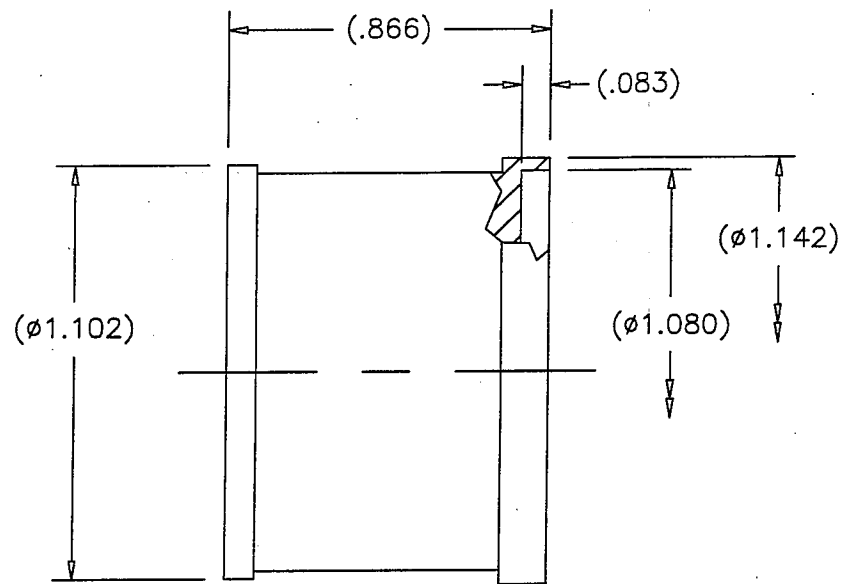
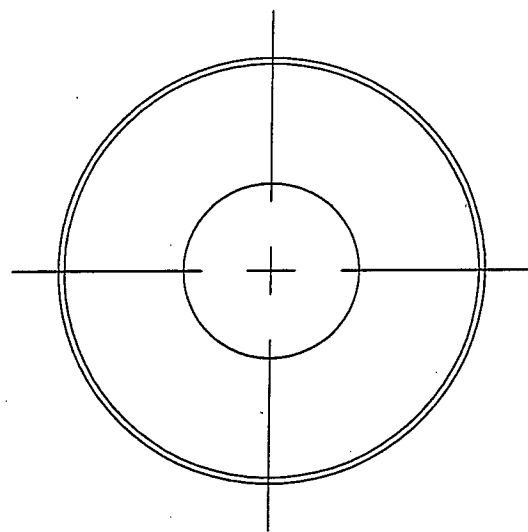
Printed circuit board
Center contact negative
Outer contacts coupled positive

AUTHORIZED COPY
SEP 19 2003
EFFECTIVE DATE
VALID ONLY IF THIS STAMP IS RED

QA INSP 12/2003

UNLESS OTHERWISE SPECIFIED DIMENSIONS ARE IN INCHES AND PER ANSI Y14.5-1982				maxtec® SALT LAKE CITY, UTAH 84109			
.XX = ±.01		ANGLES ±1°30'		SPECIFICATION, MAX-1 OXYGEN SENSOR			
.XXX = ±.005				SIZE B	FSCM NO. 1S815	NUMBER R113P85	REV D
.XXXX = ±.002				SCALE NONE		SHEET 1 OF 2	
QA G. ROTH	9/15/03	PREP E. CUTLER	1-24-97				
MFG E. MEADS	9/15/03	CHKR G. POELAKKER	3-13-98				
		ENG T. COOK	9/15/03				

A R113P85 D



NOTES UNLESS OTHERWISE SPECIFIED

1. DIMENSIONS ARE FOR AN UNLABELED SENSOR.

AUTHORIZED COPY
SEP 19 2003
EFFECTIVE DATE
 VALID ONLY IF THIS STAMP IS RED

SIZE B	FSCM NO. 1S815	NUMBER R113P85	REV D
SCALE NONE		SHEET 2 OF 2	

PROPRIETARY INFORMATION
 MAXTEC INC.

R113P85 D