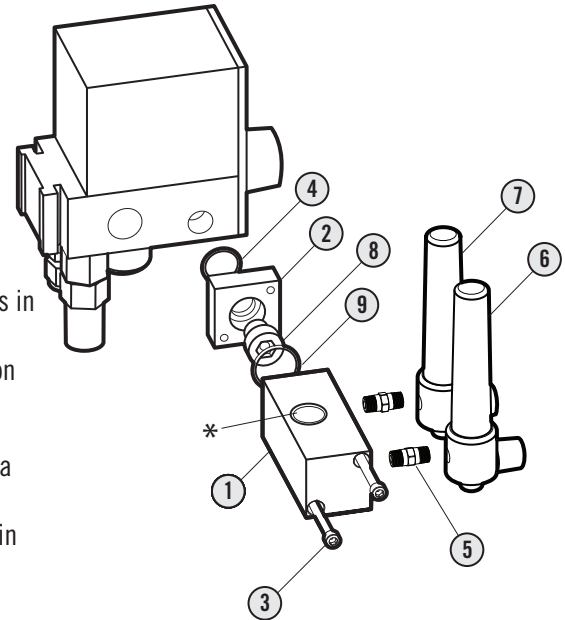


Blender Buddy For Bird Blender

Instructions For Use

1. Insert small o-ring ④ into the small adapter block ②.
2. Attach the small adapter block ② to the blender using the short bolt ⑧ and provided hex key. (No Teflon tape is necessary)
- **Skip to Step 9 if flow meters are already attached.**
3. Wrap both threaded ends of the pipe nipples ⑤ with Teflon tape. (1-1/2 wraps)
4. Use a 7/16" wrench to tighten pipe nipples ⑤ into the threaded holes in the flow meters ⑥ ⑦.
5. Tighten one assembled flow meter ⑥ into one of the threaded holes on the large block ①.
6. Remove the clear flow tube and shield from the other flow meter ⑦.
7. Tighten the disassembled flow meter ⑦ into the other threaded hole in the large block ①.
8. Reassemble the flow meter ⑦.
9. Insert large o-ring ⑨ into o-ring gland of the large block ①.
10. Attach large block ① to small block ② with the two long screws ③.
11. Supply gas to blender and check for leaks.



*Accessory with sensor port is shown here. Image may vary from actual product.

Maxtec® Inc., 6526 South Cottonwood Street, Salt Lake City, UT 84107
Tel 801.266.5300 • Fax 801.270.5590 • Toll Free 800.748.5355 • www.maxtecinc.com





WARNINGS

- : Carefully read instructions provided with flow meters, as well as this card, before use.
- : For use with air/oxygen blenders only.
- : Max pressure is 100 psi.
- : Check for leaks after assembly.
- : Do not use lubricants on o-rings.

